

PRODUCT INFORMATION PACKET

Model No: 5K36PNB116

Catalog No: K255

3/4 HP General Purpose Motor, 3 phase, 1800 RPM, 208-230/460 V, 56C Frame, TEFC
Three Phase TEFC Motors



Regal and Marathon are trademarks of Regal Beloit Corporation or one of its affiliated companies.
©2020 Regal Beloit Corporation, All Rights Reserved. MC017097E

REGAL



Nameplate Specifications

Output HP	0.75 Hp	Output KW	0.56 kW
Frequency	60 Hz	Voltage	208-230/460 V
Current	2.8-2.8,1.4 A	Speed	1725 rpm
Service Factor	1.25	Phase	3
Efficiency	78.9 %	Power Factor	0
Duty	Continuous	Insulation Class	B
Design Code	B	KVA Code	K
Frame	56C	Enclosure	Totally Enclosed Fan Cooled
Thermal Protection	N/R	Ambient Temperature	40 °C
Drive End Bearing Size	6203	Opp Drive End Bearing Size	6203
UL	Recognized	CSA	Yes
CE	N		

Technical Specifications

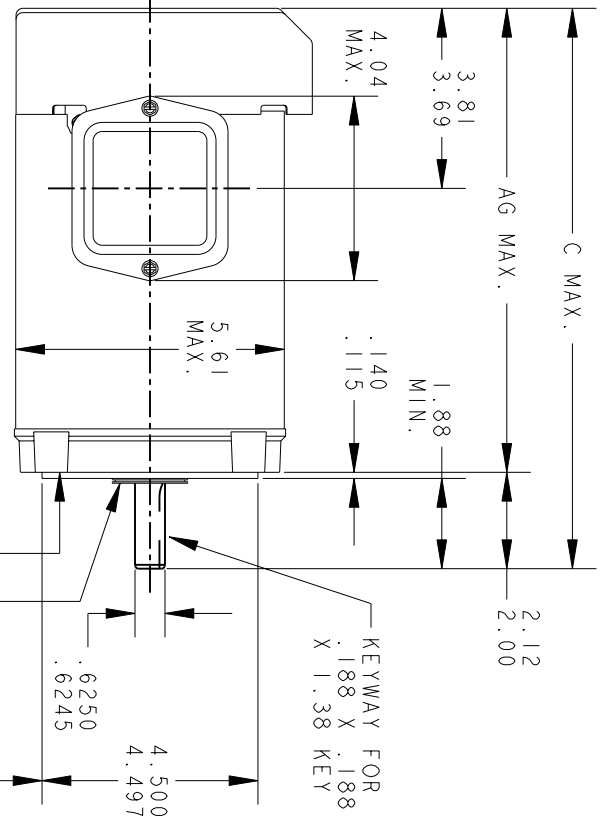
Electrical Type	Three Phase	Starting Method	N/R
Poles	4	Rotation	Counterclockwise/Clockwise
Mounting	Round	Motor Orientation	ANY
Drive End Bearing	LOCKED	Opp Drive End Bearing	Ball
Frame Material	Rolled Steel	Overall Length	11.36 in
Frame Length	6.22 in	Shaft Diameter	0.630 in
Shaft Extension	1.88 in		
Connection Drawing	113A930FIG2	Outline Drawing	52A102407P4

This is an uncontrolled document once printed or downloaded and is subject to change without notice. Date Created:03/11/2020

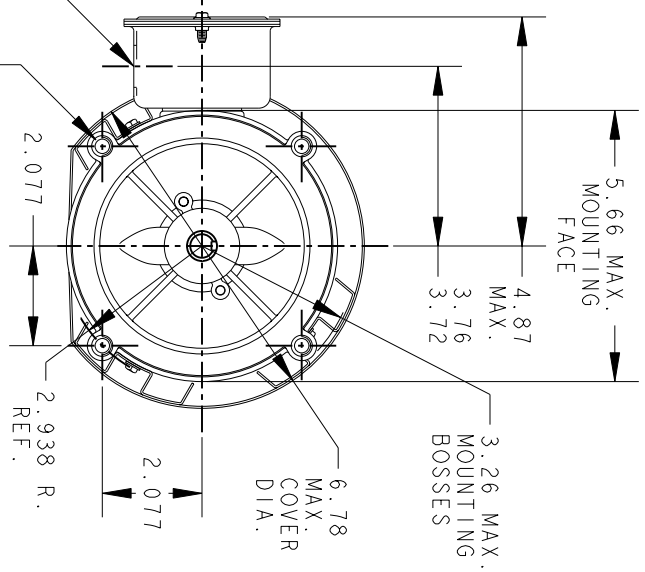
THIRD ANGLE PROJECTION



REV.	DESCRIPTION	DATE	APPROVED
3	REVISED AND REDRAWN	11/09/90	BLJ
4	MADE CHG AS PER IS05-1876	08/09/05	PRAVEEN.K
5	CHG TO RBC FORMAT PER IS05-1777	01/04/06	PRAVEEN.K



FACE RUNOUT (WITH INDICATOR MOUNTED STATIONARY RELATIVE TO SHAFT) MUST NOT EXCEED .004 T.I.R.
 WATER SLINGER (WHEN SPECIFIED)
 ECCENTRICITY OF THIS SURFACE (WITH INDICATOR MOUNTED STATIONARY RELATIVE TO SHAFT) MUST NOT EXCEED .004 T.I.R.



.375-16 UNC-2B (4 HOLES)
 .82 MIN. FULL THREAD. THESE HOLES FIT A GAGE HAVING A RABBIT 4.5005 DIA. AND 4 PINS .2917 DIA. LOCATED ON THE BASIC HOLE POSITIONS.

P	TYPE	GE SIZE	NEMA FR	C	AG
6	K	38	56C	12.36	10.28
5	K	37	56C	11.76	9.68
4	K	36	56C	11.36	9.28
3	K	35	56C	10.93	8.85
2	K	33	56C	10.55	8.47
1	K	32	56C	10.30	8.22

SIGNATURES		DATE
MODEL	H. OSBORNE	09/06/77
DETAIL		
CHECKED		
ENGRG		
MFG		
APPLIED PRACTICES	QUALITY	
DIMENSIONS ARE IN INCHES	ISSUED	B.L.J. 11/09/90
MATERIAL	SOLID MODEL: 52A102407	



REGAL-BELOTT CORPORATION

OUTLINE

TITLE
 GENERAL PURPOSE MOTOR - FORM N - TOTALLY ENCLOSED
 OUTBOARD FAN - R2 END MOUNT - BALL OR SLEEVE BEARING

52A102407

SCALE: 0.250 REF. No.:
 SHEET 1 of 1

REVISIONS

REV.	DESCRIPTION	DATE	APPROVED
1	CHG TO RBC FORMAT PER IS05-1777	06/15/06	MADHU
2	RENAMED 113A930_FIG-2 TO 113A930FIG2 PER IS07-0972	05/08/07	MADHU

This document is the property of REGAL-BELOIT CORPORATION ("RBC") including its subsidiaries and divisions and contains proprietary information of RBC. This document is loaned on the express condition that neither the recipient nor any other person shall be permitted to disclose or disseminate the information contained herein and that the recipient shall return this document to RBC upon its request. This document shall be restricted to RBC upon its request. This document may be subject to certain restrictions under U.S. export control laws and regulations.

THIRD ANGLE PROJECTION

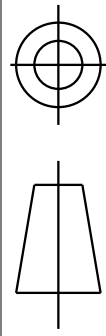
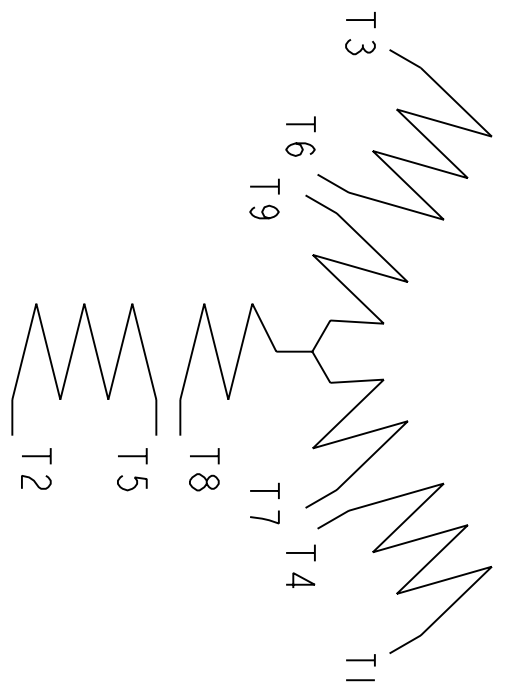


FIG. 2

3 PHASE



	VOLTS	L1	L2	L3	TOGETHER
2Y	LOW	1-7	2-8	3-9	4-5-6
1Y	HIGH	1	2	3	4-7, 5-8, 6-9

BRAKE MOTORS : CONNECT BRAKE LEADS B1 & B2 TO MOTOR LEADS T7 & T8.

FOR ADDITIONAL INFO REFER TO:		SIGNATURES		DATE
APPLIED PRACTICES	MODEL	M.D. PAPE		02/25/03
DIMENSIONS ARE IN INCHES				
TOLERANCE ON:				
1 PL DECIMALS ± 0.1				
2 PL DECIMALS ± 0.02				
3 PL DECIMALS ± 0.005				
ANGLES ± 1.0				
FRACTIONS ±				
FINISH	QUALITY	M.D. PAPE		02/25/03
	ISSUED			
MATERIAL	SOLID MODEL: 113A930FIG2			



REGAL-BELOIT CORPORATION

TITLE CONNECTION DIAGRAM

SIZE	DRAWING	SCALE	1.000	REF. No.		SHEET	1 of 1
A						REV	2
						113A930FIG2	